

## COBRA52235 Embedded Controller Module

Product Information 1.1: 2007/05/12

### COBRA52235 Features:

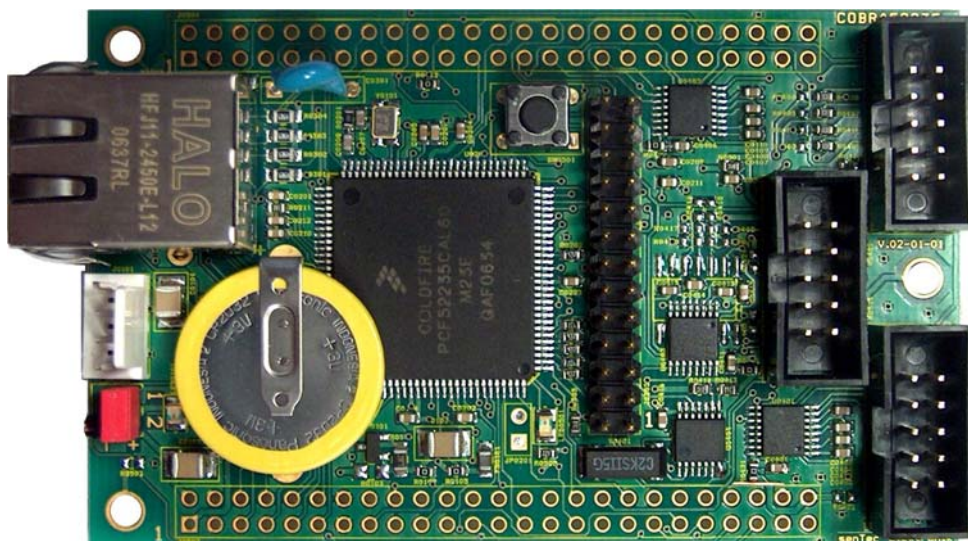
- ColdFire® MCF52235 Controller
- 60 MHz, up to 57 MIPS
- 256 kByte internal Flash
- 32 kByte internal SRAM
- 10/100 Mbit/s Ethernet Interface
- RJ45 Ethernet Connector
- Cryptographic Acceleration Unit
- 3x RS232 Interfaces with drivers
- QSPI and I<sup>2</sup>C bus Interface
- CAN 2.0B Interface
- 2x 4 channel 12-bit A/D Converter
- 4 channel DMA Controller
- Several 16- and 32-bit Timers
- Standard BDM Interface
- Real Time Clock with separate Backup Battery

- Voltage Regulator for 5V Supply
- Precision Voltage Reference for the A/D Converter
- LED for Status and Debug Infos
- Single 3.3 V Operating Voltage
- 2x 50-Pin Module Connector Areas
- Dimensions 86 mm x 54 mm
- NicheTask Open Source RTOS with TCP/IP Stack and Embedded Web Server

### Optional Updates:

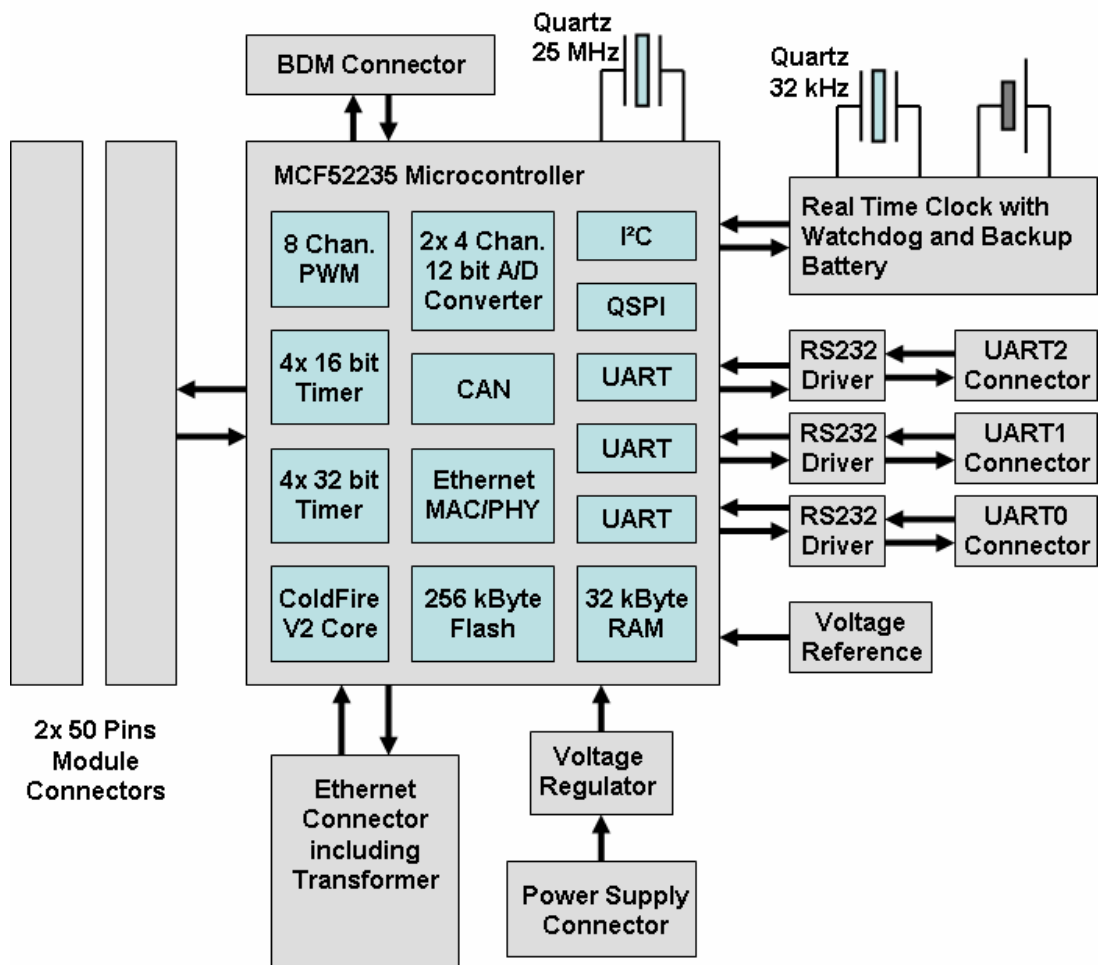
- RS485 Interface instead of the 3<sup>rd</sup> RS232
- 2x 50-Pin Connectors populated

Additional **COBRA Connect** Parallel Port BDM Interface available.



Original Size 86 mm x 54 mm

## COBRA52235 Module Block Diagram



© Copyright senTec Elektronik GmbH 2007. All rights reserved.



senTec Elektronik GmbH  
 Werner-von-Siemens-Str. 6  
 98693 Ilmenau, Germany  
<http://www.sentec-elektronik.de>

Phone: +49 3677 462 486 0  
 Fax: +49 3677 462 486 6  
 Email: [info@sentec-elektronik.de](mailto:info@sentec-elektronik.de)

Product status: product qualified and in production

senTec Elektronik is a member of the  
 Freescale Design Alliance Program.

