

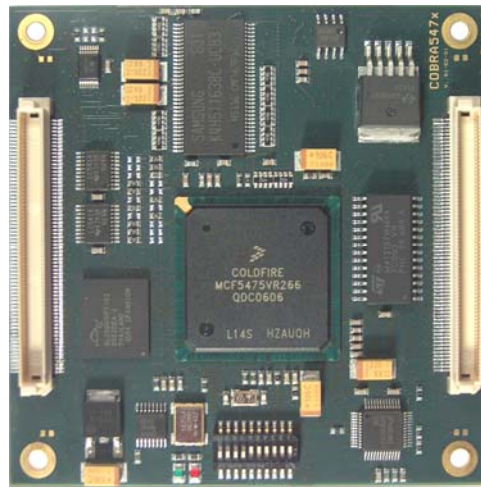
## COBRA5475 Embedded Processor Module

Product Information 1.0: 2007/01/22

### COBRA5475 Features:

- ColdFire® MCF5475 Processor
- 266 MHz, up to 410 MIPS
- Double Precision Floating Point
- 32 MByte Flash (up to 64 MByte)
- 128 MByte DDR SDRAM
- 10/100 Mbit/s Ethernet
- Encryption (AES, 3DES, RNG ...)
- High Speed USB Interface
- 4x SCI (UART)
- QSPI, I<sup>2</sup>C Interface
- Precision Real Time Clock
- 32-bit v2.2 PCI Bus Interface
- 32-Bit Processor Bus
- Selectable Boot Configuration
- dBUG and Linux OS Support
- 2x 2 High Density Connectors
- Single 3.3 V Operating Voltage

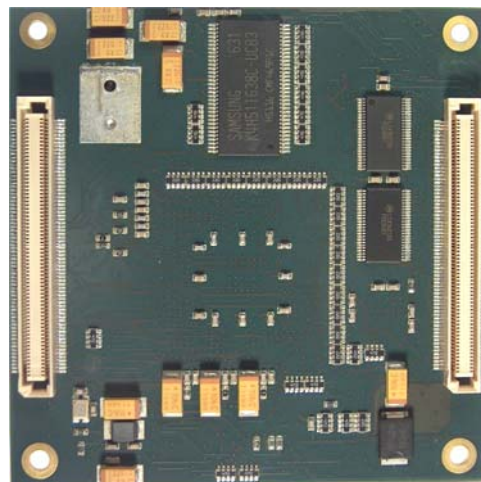
The COBRA5475 module is a versatile single board computer based on the MCF5475 ColdFire® microprocessor.



Top Side  
Original Size 80 mm x 80 mm

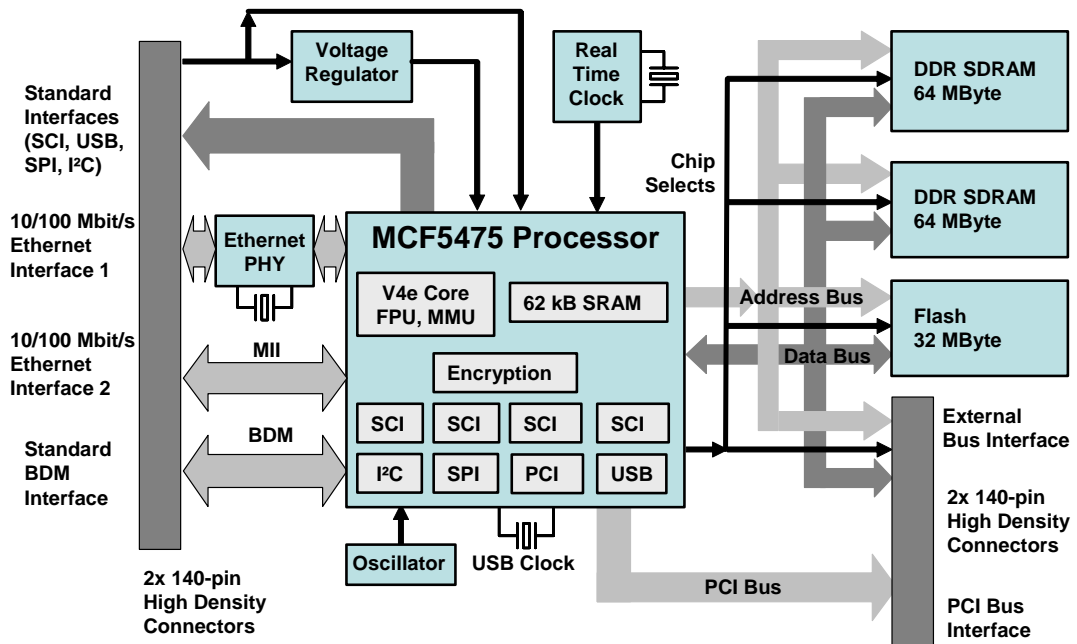
### Typical Applications:

- Human Interface Devices
- Graphical User Interfaces
- Measurement Equipment
- Industrial Control and Automation
- Medical Equipment
- Data Logging
- Embedded Internet
- USB Applications
- RS232 to Ethernet Interface
- RS485 to Ethernet Interface
- Education
- Training and Seminars
- Linux Software Development



Bottom Side  
Original Size 80 mm x 80 mm

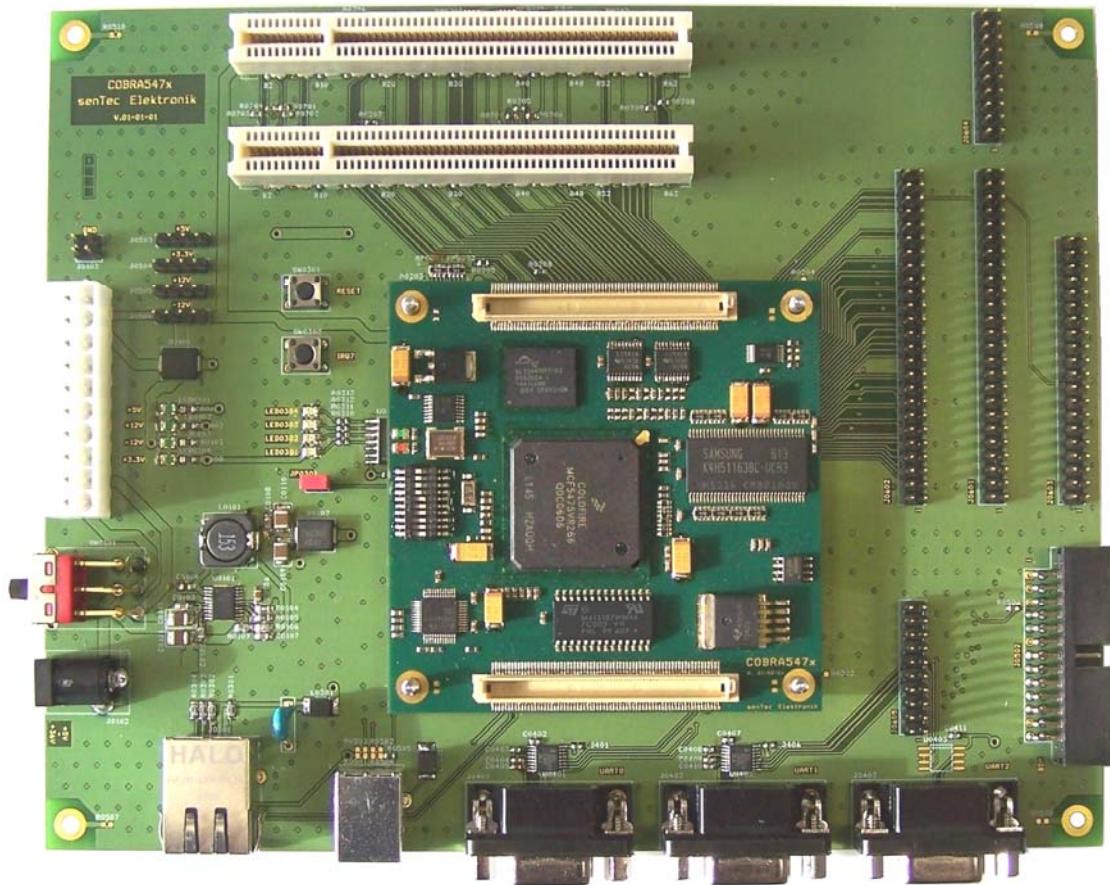
## COBRA5475 Embedded Processor Module Block Diagram



## COBRA5475 Embedded Processor Module Details



## Carrier Board for the COBRA5475 Processor Module

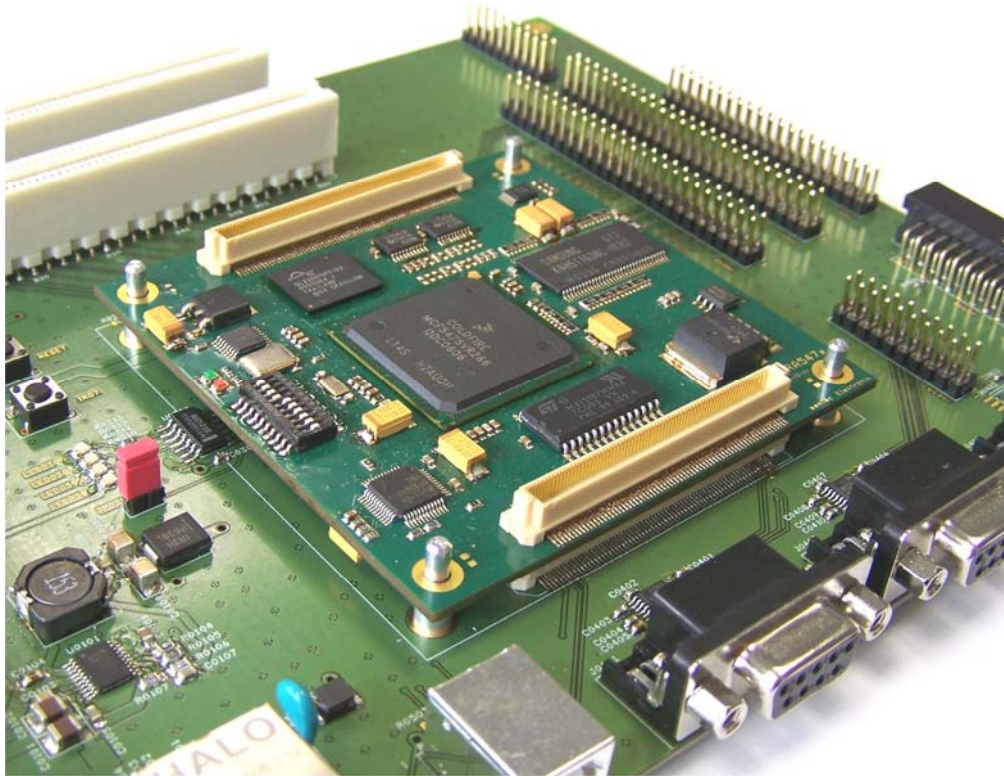


Dimensions approximately 200 mm x 160 mm

### Carrier Board Features:

- Two Board to Board Connectors for the COBRA5475 Processor Module
- RJ45 twisted pair Ethernet connector
- USB device connector
- 2x RS232 interfaces and connectors
- 1x RS485 interface and connector
- 2x PCI interfaces and connectors
- Standard BDM interface connector
- Reset and IRQ 7 pushbuttons
- Multi Media Card interface
- ATX power supply connector
- Alternate 12 V external power supply connector
- ON/OFF switch

## Starter Kit for the COBRA5475 Processor Module



- The Starter Kit contains:
- COBRA5475 Embedded Processor Module
  - Carrier Board for the COBRA5475 Module
  - Documentation on CD

Additional CD with LTIB based Linux distribution and tool chain for software development available as a delivery option.

Additional PC Parallel Port BDM Interface available.

© Copyright senTec Elektronik GmbH 2007. All rights reserved.



senTec Elektronik GmbH  
Werner-von-Siemens-Str. 6  
98693 Ilmenau, Germany  
<http://www.sentec-elektronik.de>

Phone: +49 3677 462 486 0  
Fax: +49 3677 462 486 6  
Email: [info@sentec-elektronik.de](mailto:info@sentec-elektronik.de)

Product status: development finished, product in qualification

senTec Elektronik is a member of the  
Freescale Design Alliance Program.

